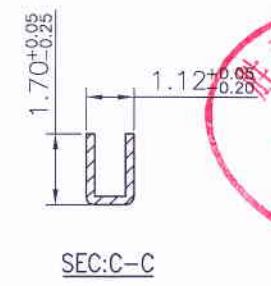
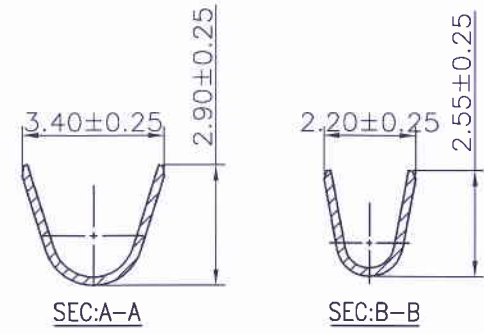


Specifications:
 Voltage Rating : 250V AC/DC
 Withstand Voltage : 1500V AC/minute
 Contact Resistance : 10mΩ(MAX.)
 Insulation Resistance : 1000MΩ(Min.)
 Suitable for 0.64mm PIN
 The product using material and processing must conform to the "WI-PZ-142" HSF technical standard control requirements



A2

Part No.	Wire Range	Insulation O.D.	Material	Finish	Qty/reel	电镀测点
33001TOP-3E-2-F	AWG #18~#20	1.80mm(max)	Copper alloy	Ni 50u" Min.,Matte Tin-plated 80u" Min.	8KPCS	内镀

REV.	REVISION RECORD	DATE	GENERAL TOLERANCES	SCALE:	NAME	DATE	PART. NO.:	DWG. NO.:	JCTC [®] TERMINAL&CONNECTORS REV: A3 SHEET: 1/1
A0	新图面发行	17.11.25	LINEAR	1:1			33001TOP-3E-2-F	ENDE05	
A1	TN1904280070	19.04.28	0.0±0.25	APPROVED:	张振坤	20.06.16			
A2	TN1912170310	19.12.17	0.00±0.15	DESIGNER:	张振坤	20.06.16			
A3	TN2006170123	20.06.16	0.000±0.08	DRAWN:	张振坤	20.06.16	Molex 3.0 母端子		