

Specifications:

Voltage Rating : 250V AC/DC

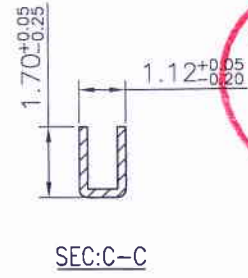
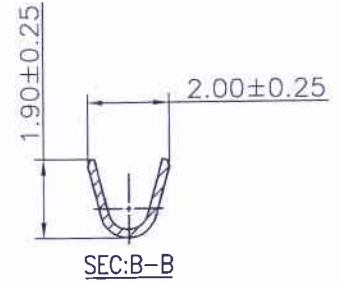
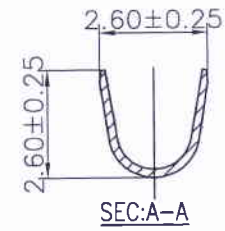
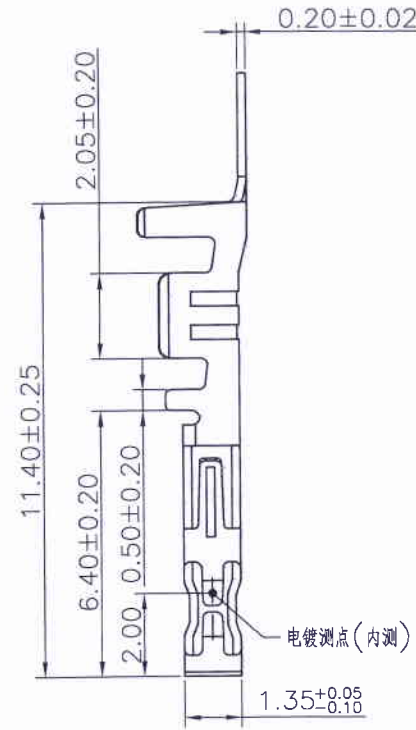
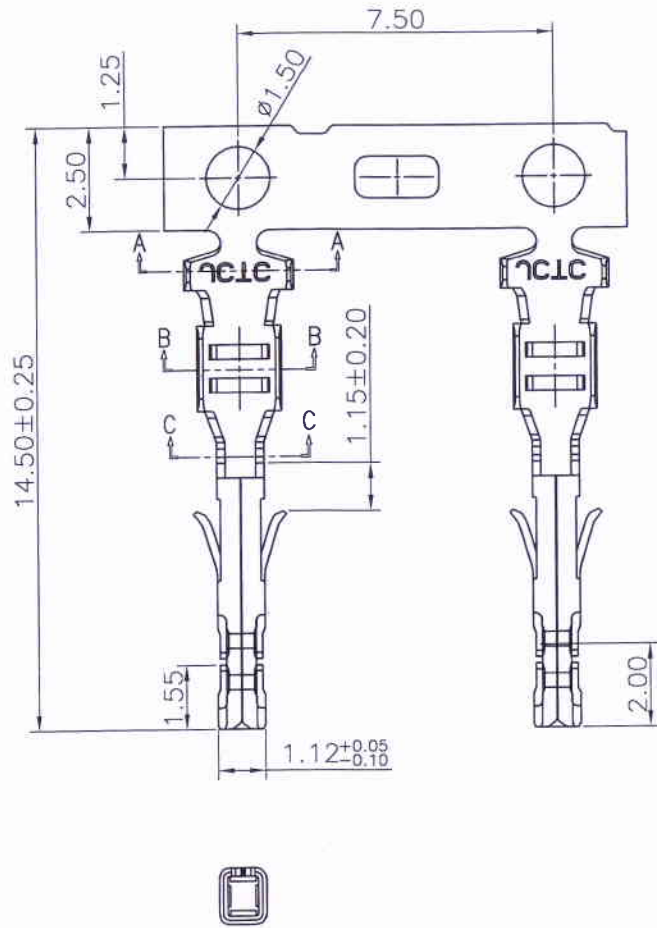
Withstand Voltage : 1500V AC/minute

Contact Resistance : 10mΩ(MAX.)

Insulation Resistance : 1000MΩ(Min.)

Suitable for 0.64mm PIN

The product using material and processing must conform to the "WI-PZ-142" HSF technical standard control requirements



Part No.	Wire Range	Insulation O.D.	Material	Finish	Qty/reel
33001T1P-3E-2-F	AWG #22~#24	1.55mm(max)	Copper alloy	Ni 50u" Min.,Matte Tin-plated 80u" Min.	8KPCS

REV.	REVISION RECORD	DATE
A0	新图面发行	17.11.25
A1	TN1904280070	19.04.28
A2	TN2006170123	20.06.16

GENERAL TOLERANCES		SCALE:	NAME	DATE
LINEAR	ANGLES	1:1		
0.0±0.25	X° REF±6°	APPROVED	张振坤	20.06.16
0.00±0.15	X° ±3°	DESIGNER	张振坤	20.06.16
0.000±0.08	X° X'±2°	DRAWN	张振坤	20.06.16

PART. NO:	DWG. NO:
33001T1P-3E-2-F	ENDE05
TITLE:	
Molex 3.0 低脚母端子	

JCTC ®	
TERMINAL&CONNECTORS	
REV: A2	SHEET: 1/1