

Specifications:

Voltage Rating : 250V AC/DC

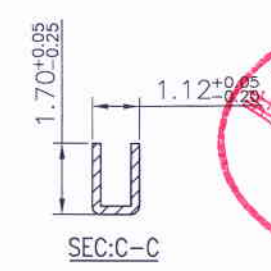
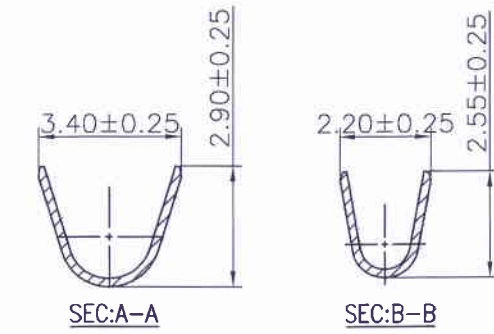
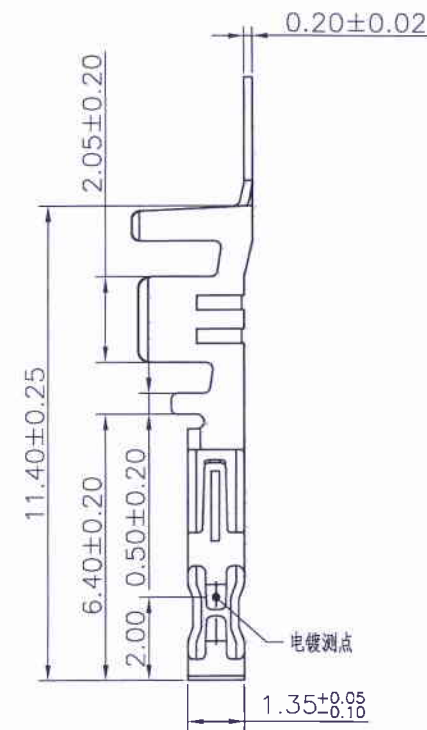
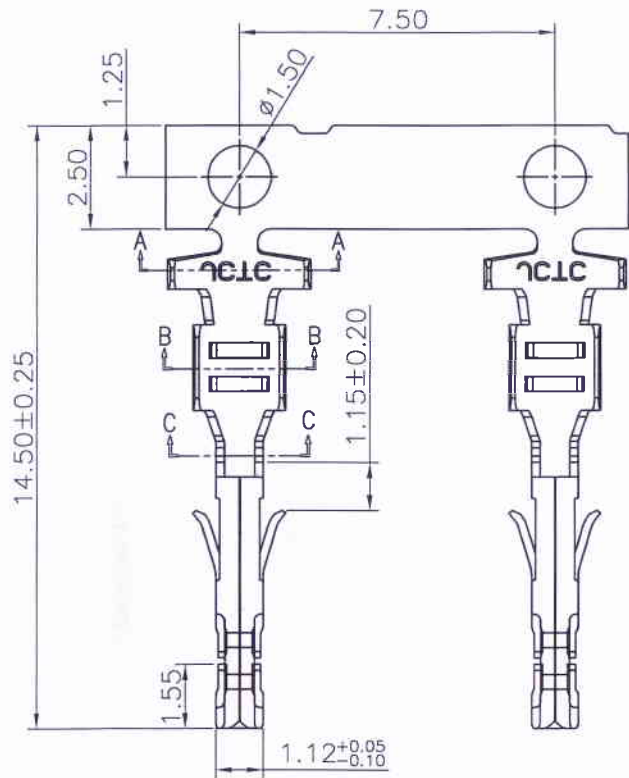
Withstand Voltage : 1500V AC/minute

Contact Resistance : 10mΩ(MAX.)

Insulation Resistance : 1000MΩ(Min.)

Suitable for 0.64mm PIN

The product using material and processing must conform to the "Wi-PZ-142" HSF technical standard control requirements



Part No.	Wire Range	Insulation O.D.	Material	Finish	Qty/reel	电镀测点
33001TOP-2E-S-F	AWG #18~#20	1.80mm(max)	Copper alloy	Ni 50u" Min.,Tin-plated 80u" Min.	8KPCS	外侧
33001TOP-3E-2-S-F	AWG #18~#20	1.80mm(max)	Copper alloy	Ni 50u" Min.,Matte Tin-plated 80u" Min.	8KPCS	内测
33001TOP-0G-G-S-F	AWG #18~#20	1.80mm(max)	Copper alloy	Ni 50u" Min.,Au 15u" Min.	8KPCS	内测

REV.	REVISION RECORD	DATE	GENERAL TOLERANCES	SCALE:	NAME	DATE	PART. NO.:	DWG. NO.:	 JCTC ® TERMINAL&CONNECTORS
A0	新图面发行	18.09.17	LINEAR	1:1			33001TOP-XX-S-F	ENDE05	
A1	TN1905170087	19.05.17	0.0±0.25	APPROVED	张振坤	20.06.16			
A2	TN1912170310	19.12.17	0.00±0.15	DESIGNER	张振坤	20.06.16	TITLE:		
A3	TN2006170123	20.06.16	0.000±0.08	DRAWN	张振坤	20.06.16	Molex 3.0 松端母端子	REV: A3 SHEET: 1/1	